

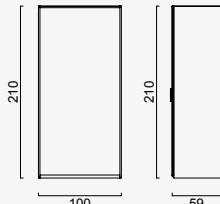
alfa plus main cabinets 210 cm

G 01 ALFA
(SINGLE MAIN CABINET)



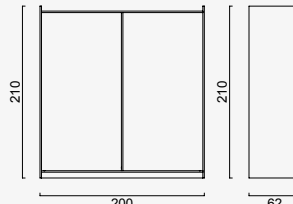
KG: 40,0 m³: 0,09

G 02 ALFA
(DOUBLE MAIN CABINET)



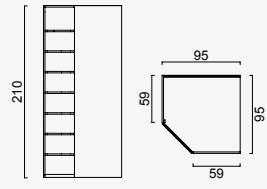
KG: 53,0 m³: 0,10

G 03 ALFA
(CABINET WITH SLIDING DOORS)



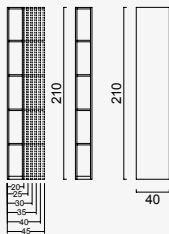
KG: 100,0 m³: 0,20

D 09 ALFA
(CORNER CABINET)



KG: 128,0 m³: 0,23

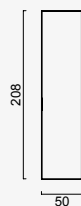
D 10 ALFA
(MIDDLE MODULE CABINET)
W: 20 - 25 - 30 - 35 - 40 - 45 cm)



20 cm KG: 9,0 m³: 0,05
 25 cm KG: 10,0 m³: 0,05
 30 cm KG: 13,0 m³: 0,07
 35 cm KG: 18,0 m³: 0,07
 40 cm KG: 27,0 m³: 0,08
 45 cm KG: 35,0 m³: 0,08

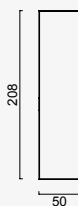
alfa plus doors 210 cm (1 pc)

K 01 LENS
(DARK TINT GLASS DOOR)



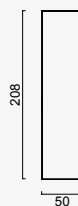
KG: 26,0 m³: 0,087

K 02 DOLE
(MIRROR DOOR)



KG: 28,8 m³: 0,064

K 03 LYON
(MIRROR DOOR)



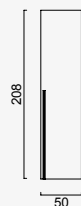
KG: 36,0 m³: 0,073

K 04 REZE
(MDF DOOR)



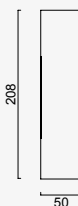
KG: 22,0 m³: 0,069

K 05 LAVAL
(WOODEN DOOR)



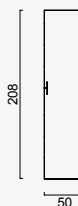
KG: 22,4 m³: 0,042

K 06 PIZA
(WOODEN DOOR)



KG: 22,4 m³: 0,041

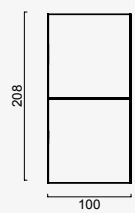
K 07 ALBI
(WOODEN DOOR)



KG: 22,4 m³: 0,059

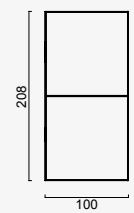
alfa plus sliding doors 210 cm (1 pc)

K 08 LENS
(SLIDING DOOR)



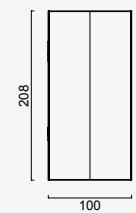
KG: 30,0 m³: 0,10

K 09 DOLE
(SLIDING DOOR)



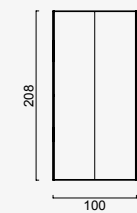
KG: 26,0 m³: 0,10

K 10 LYON
(SLIDING DOOR)

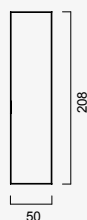


KG: 31,0 m³: 0,10

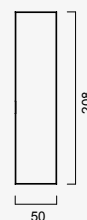
K 11 ALBI
(SLIDING DOOR)



K 12 ELIZE
(GLASS DOOR)

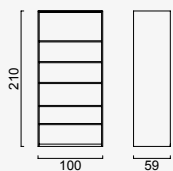


K 13 DORA
(MIRROR DOOR)



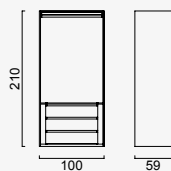
alfa plus cabinets 210 cm (without door)

D 01 Double Cabinet
CABINET WITH SHELVES



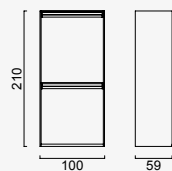
KG: 76,0 m³: 0,24

D 02 Double Cabinet
CABINET WITH DRAWERS



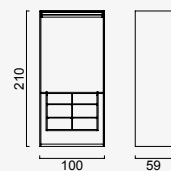
KG: 88,0 m³: 0,17

D 03 Double Cabinet
CABINET WITH HANGER



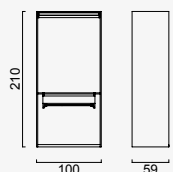
KG: 53,0 m³: 0,12

D 04 Double Cabinet
CABINET WITH T-SHIRT ORGANIZER



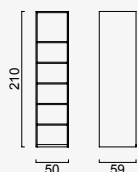
KG: 68,0 m³: 0,14

D 05 Double Cabinet
CABINET WITH TROUSER RACK



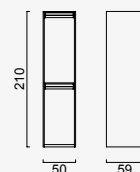
KG: 68,0 m³: 0,14

D 06 Single Cabinet
CABINET WITH SHELVES



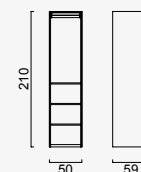
KG: 55,0 m³: 0,15

D 07 Single Cabinet
CABINET WITH HANGER



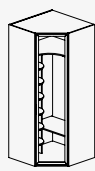
KG: 47,0 m³: 0,11

D 08 Single Cabinet
CABINET WITH 3 SHELVES



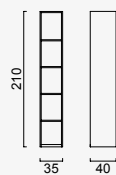
KG: 49,0 m³: 0,13

D 09 Corner Cabinet



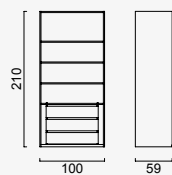
KG: 121,0 m³: 0,39

D 10 Mid Cabinet



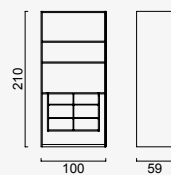
KG: 18,0 m³: 0,07

D 11 Double Cabinet
CABINET WITH SHELVES & DRAWERS



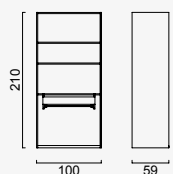
KG: 100,0 m³: 0,25

D 12 Double Cabinet
CABINET WITH SHELVES & T-SHIRT ORGANIZER



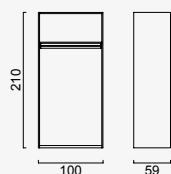
KG: 77,0 m³: 0,20

D 13 Double Cabinet
CABINET WITH SHELVES & TROUSER RACK



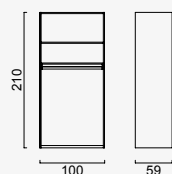
KG: 77,0 m³: 0,20

D 14 Double Cabinet
CABINET WITH SHELF & HANGER



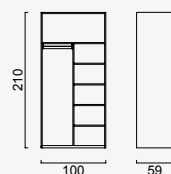
KG: 58,0 m³: 0,12

D 15 Double Cabinet
CABINET WITH SHELVES & HANGER



KG: 65,0 m³: 0,15

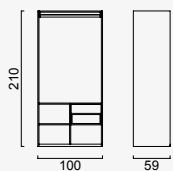
D 16 Double Cabinet
DOUBLE CABINET WITH SEPERATOR
MODULE AND SHELVES



KG: 73,0 m³: 0,14

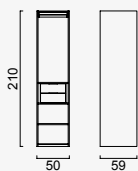
alfa plus cabinets 210 cm (without door)

D 17 Double Cabinet
CABINET WITH HIDDEN COMPARTMENT
MODULE



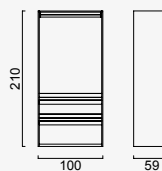
KG: 64,0 m³: 0,12

D 18 Single Cabinet
WITH DRAWERS MODULE



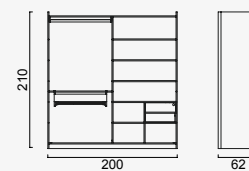
KG: 62,0 m³: 0,16

D 19 Double Cabinet
CABINET WITH SHOES ORGANIZER



KG: 68,0 m³: 0,12

S 01 Sliding Door



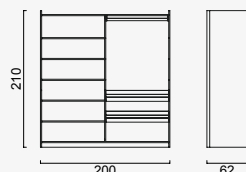
KG: 93,0 m³: 0,30

S 02 Sliding Door



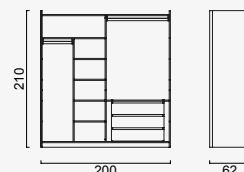
KG: 114,0 m³: 0,33

S 03 Sliding Door



KG: 93,0 m³: 0,28

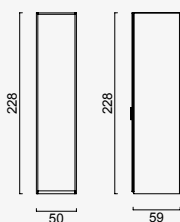
S 04 Sliding Door



KG: 120,0 m³: 0,27

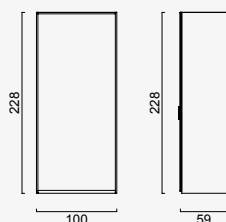
alfa plus main cabinets 230 cm

G 01 ALFA
(SINGLE MAIN CABINET)



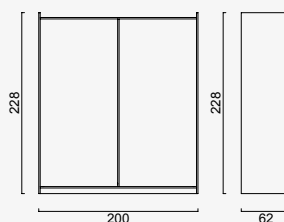
KG: 43,0 m³: 0,11

G 02 ALFA
(DOUBLE MAIN CABINET)



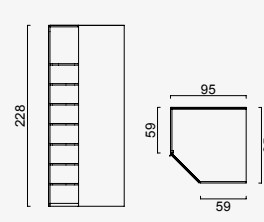
KG: 56,0 m³: 0,10

G 03 ALFA
(CABINET WITH SLIDING DOORS)



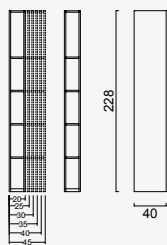
KG: 73,0 m³: 0,18

D 09 ALFA
(CORNER CABINET)



KG: 135,0 m³: 0,40

D 10 ALFA
(MIDDLE MODULE CABINET)
W: 20 - 25 - 30 - 35 - 40 - 45 cm



20 cm KG: 10,0 m³: 0,05
25 cm KG: 11,0 m³: 0,05
30 cm KG: 14,0 m³: 0,07
35 cm KG: 19,0 m³: 0,07
40 cm KG: 28,0 m³: 0,08
45 cm KG: 36,0 m³: 0,08

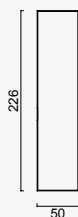
alfa plus doors 230 cm (1 pc)

K 01 LENS
(DARK TINT GLASS DOOR)



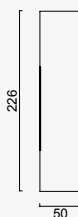
KG: 28,0 m³: 0,093

K 02 DOLE
(MIRROR DOOR)



KG: 34,4 m³: 0,069

K 03 LYON
(MIRROR DOOR)



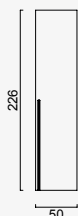
KG: 48,0 m³: 0,078

K 04 REZE
(MDF DOOR)



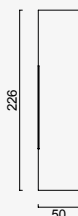
KG: 40,0 m³: 0,074

K 05 LAVAL
(WOODEN DOOR)



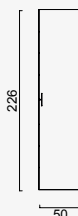
KG: 26,6 m³: 0,048

K 06 PIZA
(WOODEN DOOR)



KG: 22,4 m³: 0,046

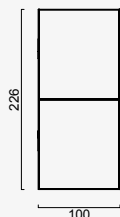
K 07 ALBI
(WOODEN DOOR)



KG: 26,0 m³: 0,064

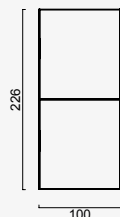
alfa plus sliding doors 230 cm (1 pc.)

K 08 LENS
(SLIDING DOOR)



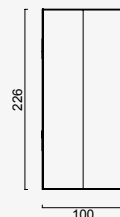
KG: 30,0 m³: 0,10

K 09 DOLE
(SLIDING DOOR)



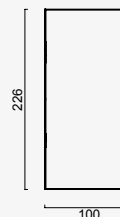
KG: 30,0 m³: 0,10

K 10 LYON
(SLIDING DOOR)

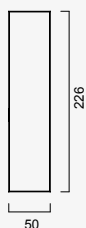


KG: 35,0 m³: 0,10

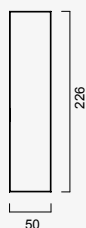
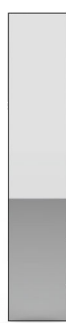
K 11 ALBI
(SLIDING DOOR)



K 12 ELIZE
(GLASS DOOR)

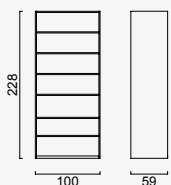


K 13 DORA
(MIRROR DOOR)



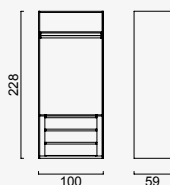
alfa plus cabinets 230 cm (without door)

D 01 Double Cabinet
CABINET WITH 6 SHELVES



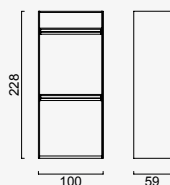
KG: 69,0 m³: 0,19

D 02 Double Cabinet
CABINET WITH DRAWERS



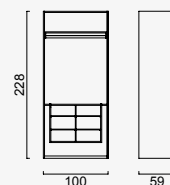
KG: 95,0 m³: 0,20

D 03 Double Cabinet
CABINET WITH HANGER



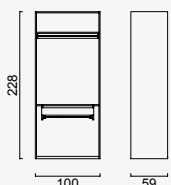
KG: 66,0 m³: 0,14

D 04 Double Cabinet
CABINET WITH T-SHIRT ORGANIZER



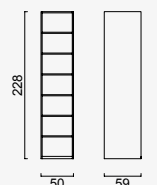
KG: 75,0 m³: 0,17

D 05 Double Cabinet
CABINET WITH TROUSER RACK



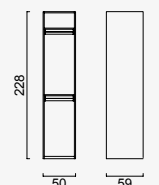
KG: 75,0 m³: 0,17

D 06 Single Cabinet
CABINET WITH 6 SHELVES



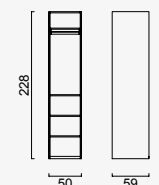
KG: 52,0 m³: 0,14

D 07 Single Cabinet
CABINET WITH HANGER



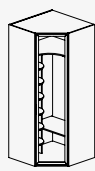
KG: 49,0 m³: 0,12

D 08 Single Cabinet
CABINET WITH 3 SHELVES



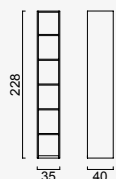
KG: 55,0 m³: 0,15

D 09 Corner Cabinet



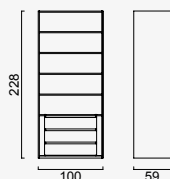
KG: 135,0 m³: 0,40

D 10 Mid Cabinet



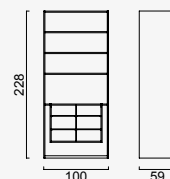
KG: 20,0 m³: 0,08

D 11 Double Cabinet
CABINET WITH 4 SHELVES & DRAWERS



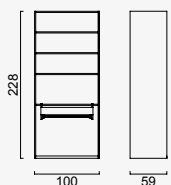
KG: 100,0 m³: 0,24

D 12 Double Cabinet
CABINET WITH 3 SHELVES & T-SHIRT ORGANIZER



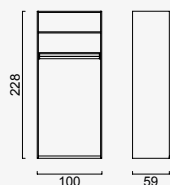
KG: 83,0 m³: 0,23

D 13 Double Cabinet
CABINET WITH 3 SHELVES & TROUSER RACK



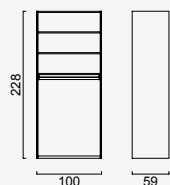
KG: 83,0 m³: 0,18

D 14 Double Cabinet
CABINET WITH 1 SHELF & HANGER



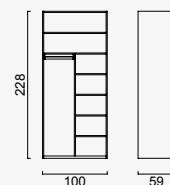
KG: 71,0 m³: 0,21

D 15 Double Cabinet
CABINET WITH 2 SHELVES & HANGER



KG: 71,0 m³: 0,19

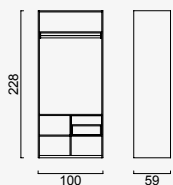
D 16 Double Cabinet
DOUBLE CABINET WITH SEPERATOR
MODULE AND SHLEVES



KG: 83,0 m³: 0,18

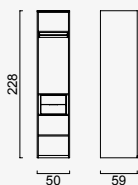
alfa plus cabinets 230 cm (without door)

D 17 Double Cabinet
CABINET WITH HIDDEN COMPARTMENT
MODULE



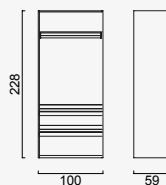
KG: 71,0 m³: 0,15

D 18 Single Cabinet
WITH DRAWERS MODULE



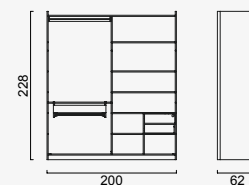
KG: 68,0 m³: 0,18

D 19 Double Cabinet
CABINET WITH SHOES ORGANIZER



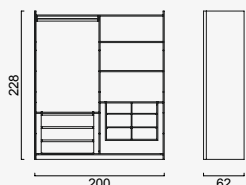
KG: 75,0 m³: 0,15

S 01 Sliding Door



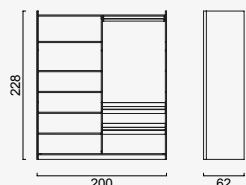
KG: 111,0 m³: 0,32

S 02 Sliding Door



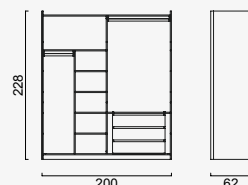
KG: 132,0 m³: 0,35

S 03 Sliding Door



KG: 111,0 m³: 0,34

S 04 Sliding Door



KG: 128,0 m³: 0,29

alfa plus main cabinets 245 cm

G 01 ALFA
(SINGLE MAIN CABINET)



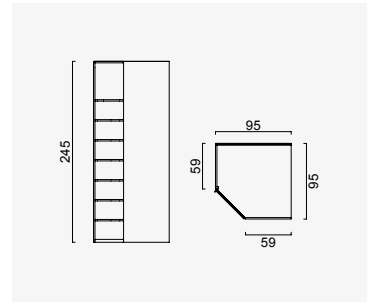
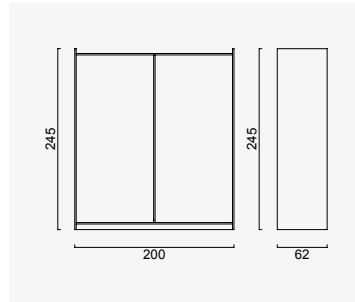
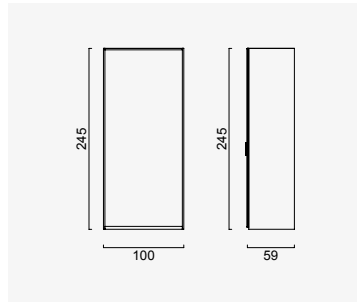
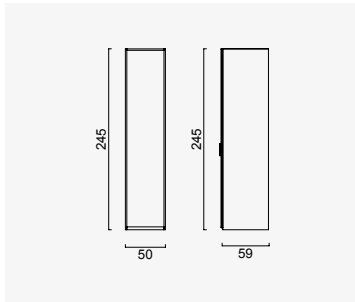
G 02 ALFA
(DOUBLE MAIN CABINET)



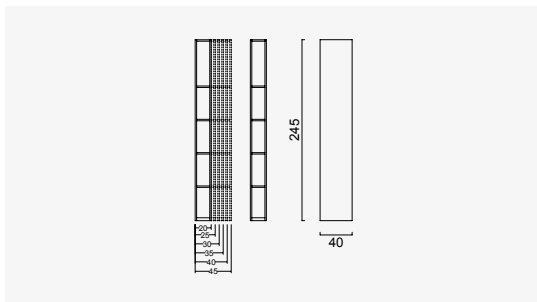
G 03 ALFA
(CABINET WITH SLIDING DOORS)



D 09 ALFA
(CORNER CABINET)

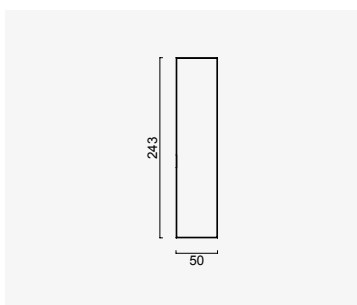


D 10 ALFA
(MIDDLE MODULE CABINET)
W: 20 - 25 - 30 - 35 - 40 - 45 cm)

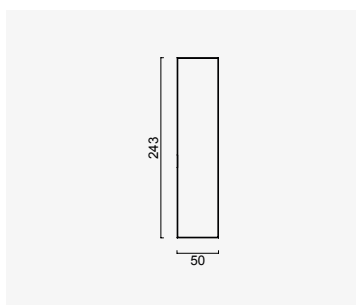


alfa plus doors 245 cm (1 pc)

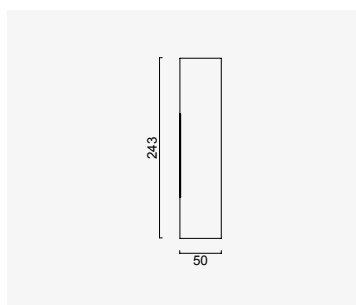
K 01 LENS
(DARK TINT GLASS DOOR)



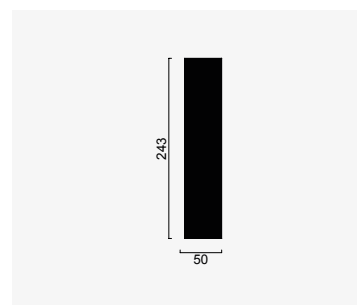
K 02 DOLE
(MIRROR DOOR)



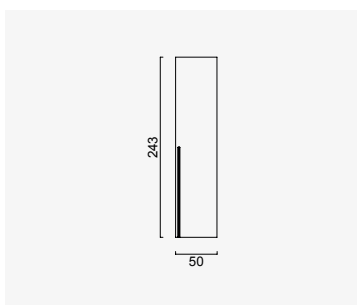
K 03 LYON
(MIRROR DOOR)



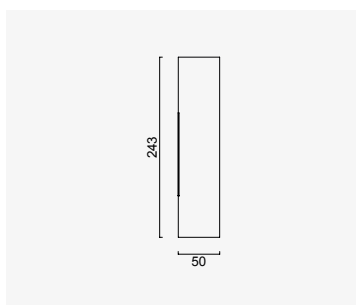
K 04 REZE
(MDF DOOR)



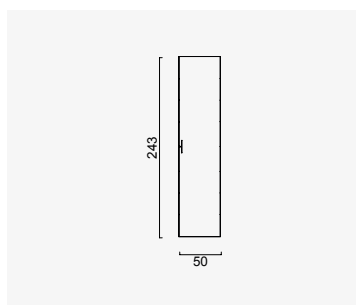
K 05 LAVAL
(WOODEN DOOR)



K 06 PIZA
(WOODEN DOOR)



K 07 ALBI
(WOODEN DOOR)



alfa plus sliding doors 245 cm (1 pc)

K 08 LENS
(SLIDING DOOR)



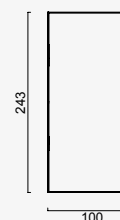
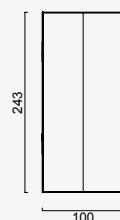
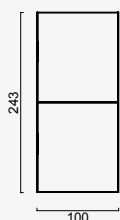
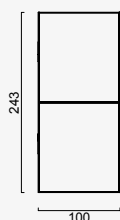
K 09 DOLE
(SLIDING DOOR)



K 10 LYON
(SLIDING DOOR)



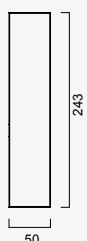
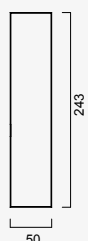
K 11 ALBI
(SLIDING DOOR)



K 12 ELIZE
(GLASS DOOR)

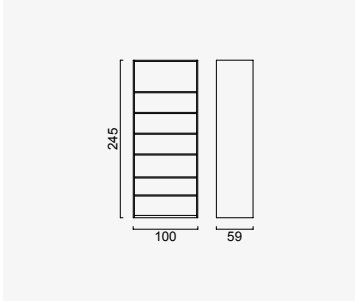


K 13 DORA
(MIRROR DOOR)

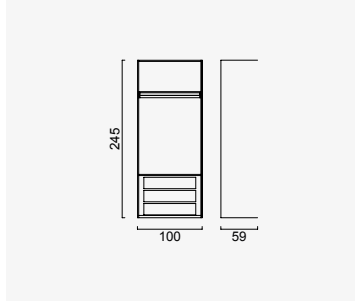


alfa plus cabinets 245 cm (without door)

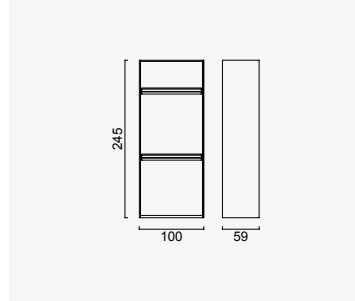
D 01 Double Cabinet
CABINET WITH 6 SHELVES



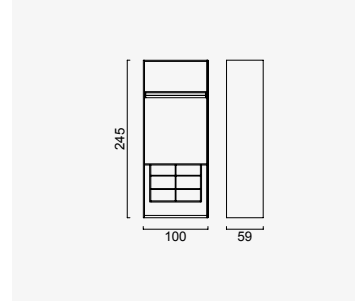
D 02 Double Cabinet
CABINET WITH DRAWERS



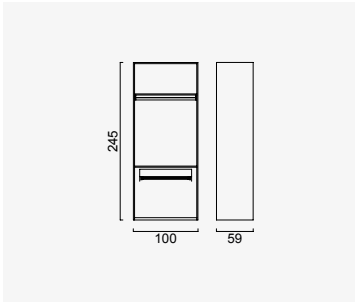
D 03 Double Cabinet
CABINET WITH HANGER



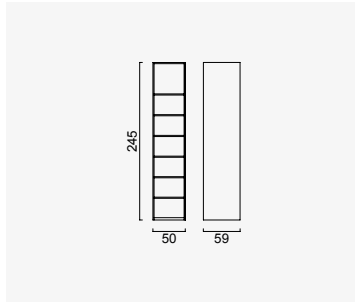
D 04 Double Cabinet
CABINET WITH T-SHIRT ORGANIZER



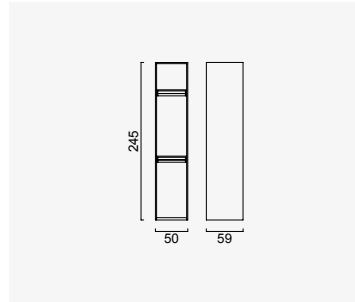
D 05 Double Cabinet
CABINET WITH TROUSER RACK



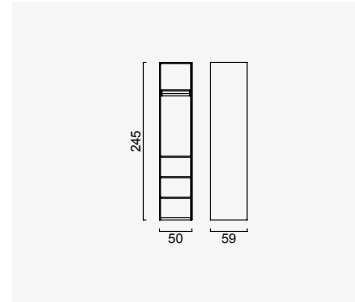
D 06 Single Cabinet
CABINET WITH 6 SHELVES



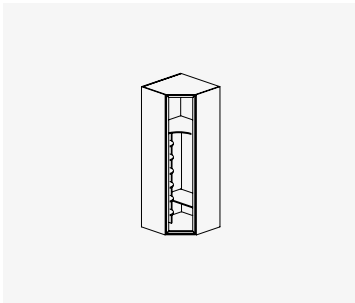
D 07 Single Cabinet
CABINET WITH HANGER



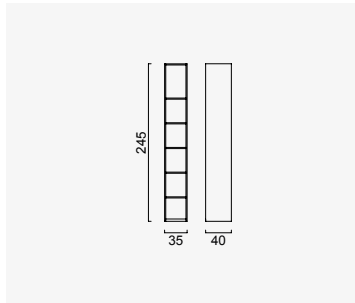
D 08 Single Cabinet
CABINET WITH 3 SHELVES



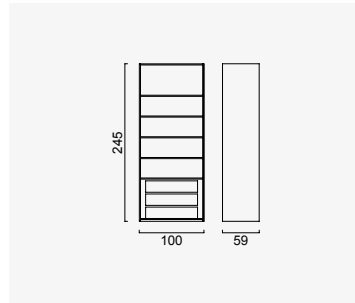
D 09 Corner Cabinet



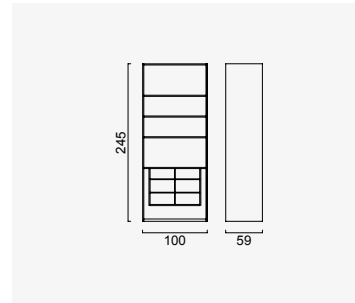
D 10 Mid Cabinet



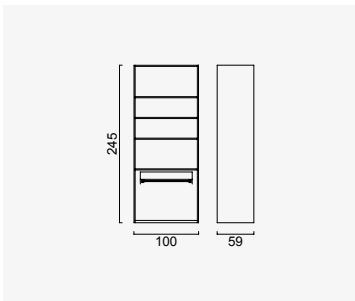
D 11 Double Cabinet
CABINET WITH 4 SHELVES & DRAWERS



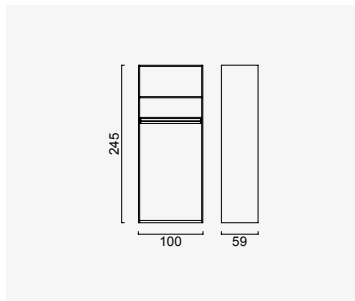
D 12 Double Cabinet
CABINET WITH 3 SHELVES & T-SHIRT ORGANIZER



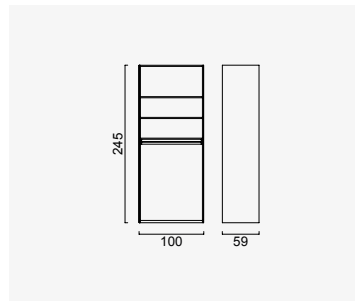
D 13 Double Cabinet
CABINET WITH 3 SHELVES & TROUSER RACK



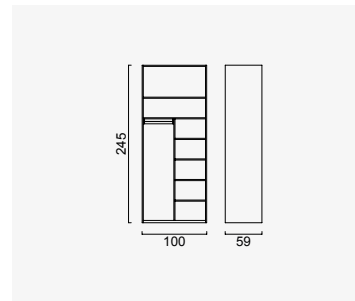
D 14 Double Cabinet
CABINET WITH 1 SHELF & HANGER



D 15 Double Cabinet
CABINET WITH 2 SHELVES & HANGER

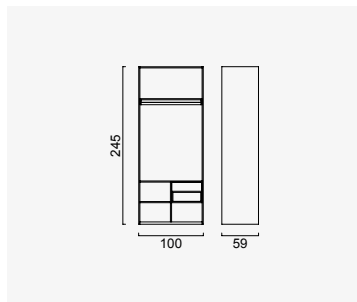


D 16 Double Cabinet
DOUBLE CABINET WITH SEPERATOR MODULE AND SHLEVES

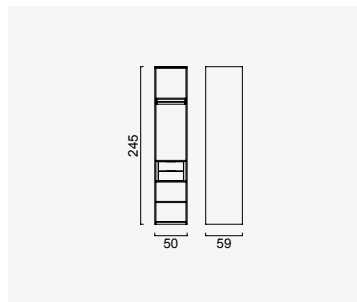


alfa plus cabinets 245 cm (without door)

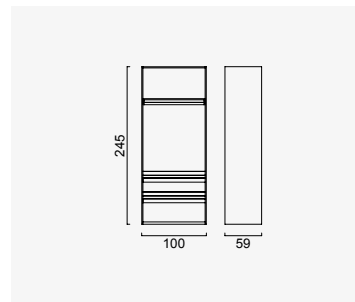
D 17 Double Cabinet
CABINET WITH HIDDEN COMPARTMENT
MODULE



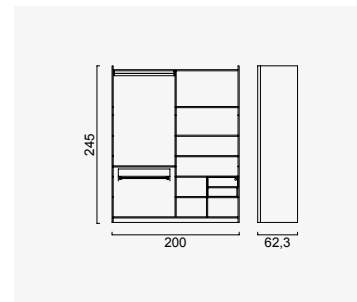
D 18 Single Cabinet
WITH DRAWERS MODULE



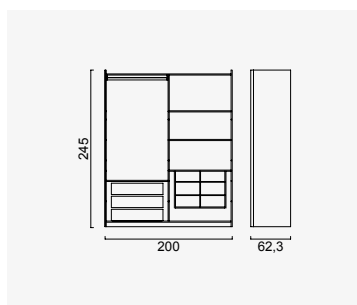
D 19 Double Cabinet
CABINET WITH SHOES ORGANIZER



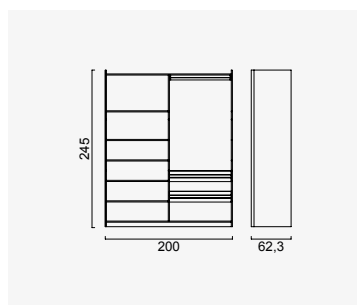
S 01 Sliding Door



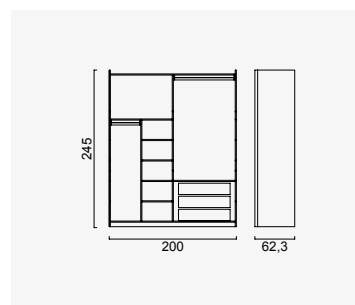
S 02 Sliding Door



S 03 Sliding Door

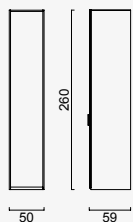


S 04 Sliding Door



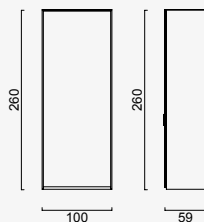
alfa plus main cabinets 260 cm

G 01 ALFA
(SINGLE MAIN CABINET)



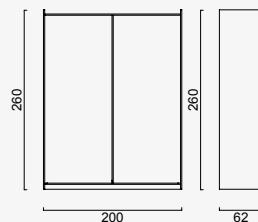
KG: 48,0 m³: 0,12

G 02 ALFA
(DOUBLE MAIN CABINET)



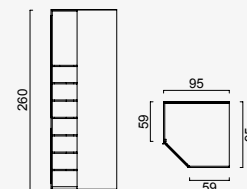
KG: 61,0 m³: 0,12

G 03 ALFA
(CABINET WITH SLIDING DOORS)



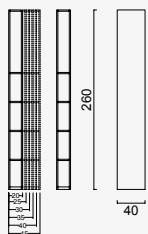
KG: 77,0 m³: 0,19

D 09 ALFA
(CORNER CABINET)



KG: 148,0 m³: 0,44

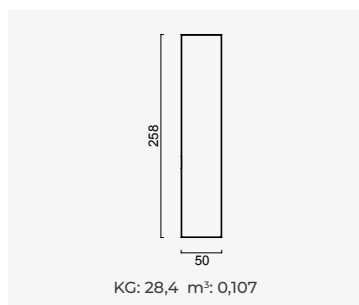
D 10 ALFA
(MIDDLE MODULE CABINET)
W: 20 - 25 - 30 - 35 - 40 - 45 cm



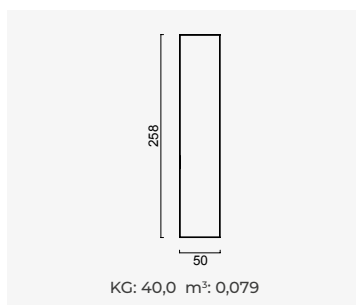
20 cm KG: 11,0 m³: 0,05
25 cm KG: 12,0 m³: 0,05
30 cm KG: 15,0 m³: 0,07
35 cm KG: 20,0 m³: 0,07
40 cm KG: 29,0 m³: 0,08
45 cm KG: 37,0 m³: 0,08

alfa plus doors 260 cm (1 pc)

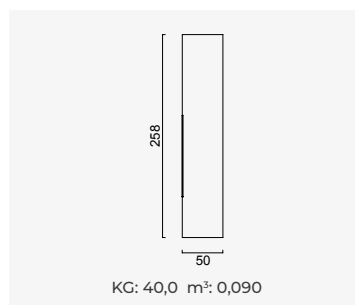
K 01 LENS
(DARK TINT GLASS DOOR)



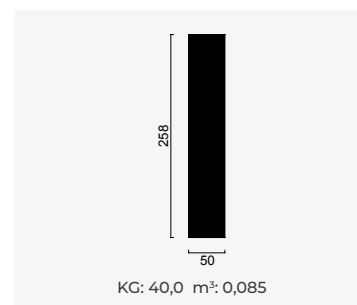
K 02 DOLE
(MIRROR DOOR)



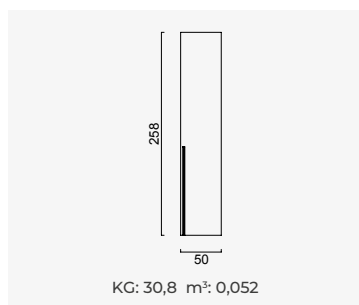
K 03 LYON
(MIRROR DOOR)



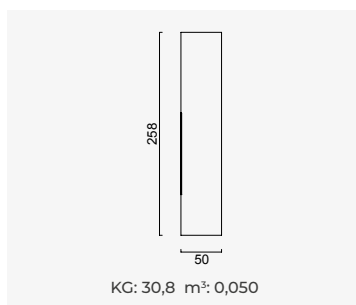
K 04 REZE
(MDF DOOR)



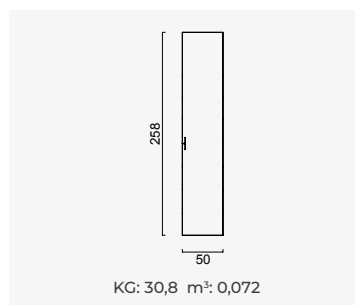
K 05 LAVAL
(WOODEN DOOR)



K 06 PIZA
(WOODEN DOOR)

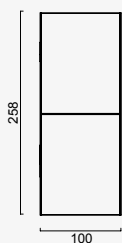


K 07 ALBI
(WOODEN DOOR)



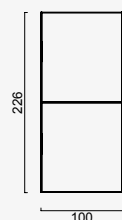
alfa plus sliding doors 260 cm (1 pc)

K 08 LENS
(SLIDING DOOR)



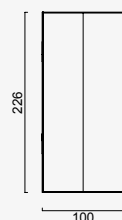
KG: 43,4 m³: 0,13

K 09 DOLE
(SLIDING DOOR)



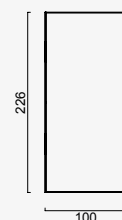
KG: 30,0 m³: 0,10

K 10 LYON
(SLIDING DOOR)

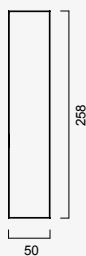


KG: 35,0 m³: 0,10

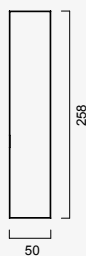
K 11 ALBI
(SLIDING DOOR)



K 12 ELIZE
(GLASS DOOR)

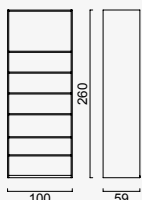


K 13 DORA
(MIRROR DOOR)



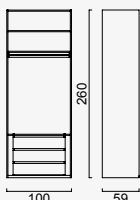
alfa plus cabinets 260 cm (without door)

D 01 Double Cabinet
CABINET WITH SHELVES



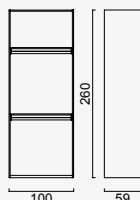
KG: 74,0 m³: 0,20

D 02 Double Cabinet
CABINET WITH DRAWERS



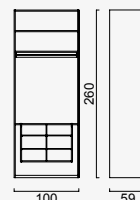
KG: 107,0 m³: 0,24

D 03 Double Cabinet
CABINET WITH HANGER



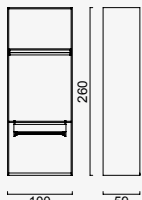
KG: 71,0 m³: 0,15

D 04 Double Cabinet
CABINET WITH T-SHIRT ORGANIZER



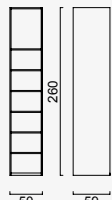
KG: 87,0 m³: 0,21

D 05 Double Cabinet
CABINET WITH TROUSER RACK



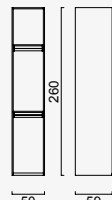
KG: 80,0 m³: 0,18

D 06 Single Cabinet
CABINET WITH SHELVES



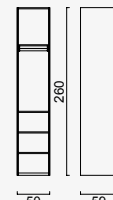
KG: 57,0 m³: 0,15

D 07 Single Cabinet
CABINET WITH HANGER



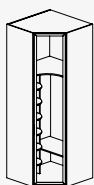
KG: 54,0 m³: 0,13

D 08 Single Cabinet
CABINET WITH SHELVES



KG: 60,0 m³: 0,16

D 09 Corner Cabinet



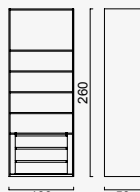
KG: 148,0 m³: 0,44

D 10 Mid Cabinet



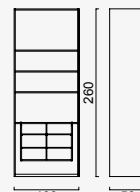
KG: 22,0 m³: 0,09

D 11 Double Cabinet
CABINET WITH SHELVES & DRAWERS



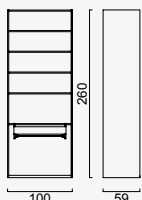
KG: 105,0 m³: 0,25

D 12 Double Cabinet
CABINET WITH SHELVES & T-SHIRT ORGANIZER



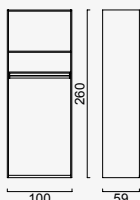
KG: 88,0 m³: 0,24

D 13 Double Cabinet
CABINET WITH SHELVES & TROUSER RACK



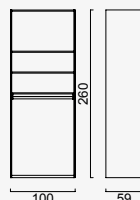
KG: 85,0 m³: 0,22

D 14 Double Cabinet
CABINET WITH SHELF & HANGER



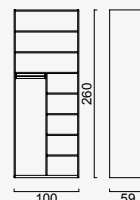
KG: 73,0 m³: 0,17

D 15 Double Cabinet
CABINET WITH SHELVES & HANGER



KG: 76,0 m³: 0,20

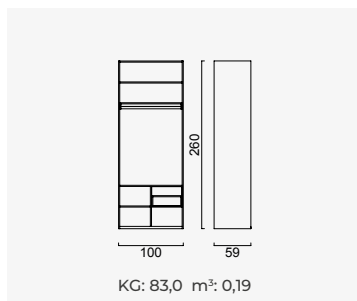
D 16 Double Cabinet
DOUBLE CABINET WITH SEPERATOR
MODULE AND SHLEVES



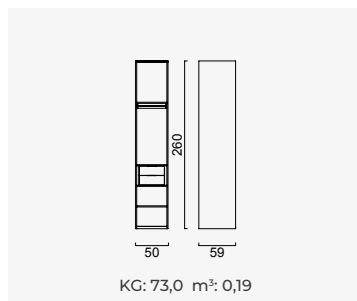
KG: 91,0 m³: 0,22

alfa plus cabinets 260 cm (without door)

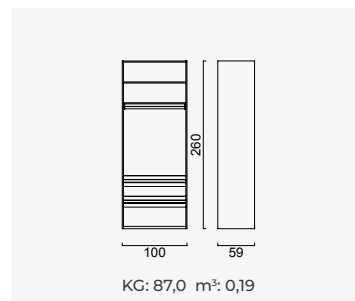
D 17 Double Cabinet
CABINET WITH HIDDEN COMPARTMENT
MODULE



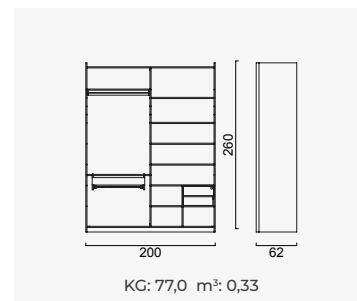
D 18 Single Cabinet
WITH DRAWERS MODULE



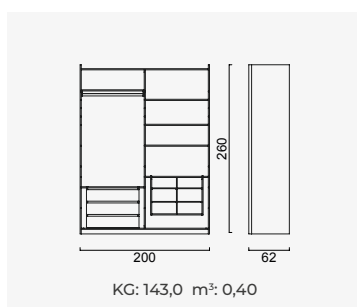
D 19 Double Cabinet
CABINET WITH SHOES ORGANIZER



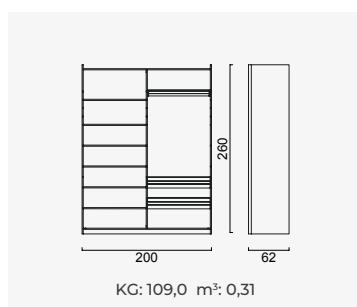
S 01 Sliding Door



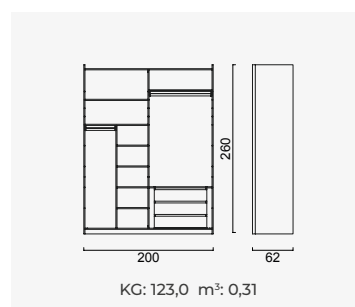
S 02 Sliding Door



S 03 Sliding Door

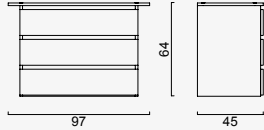


S 04 Sliding Door



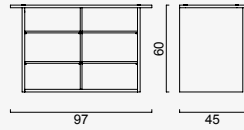
alfa plus modules

M 01
DRAWERS MODULE



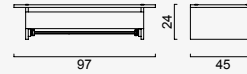
KG: 34,6 m³: 0,07

M 02
T-SHIRT ORGANIZER MODULE



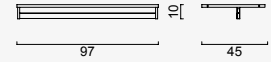
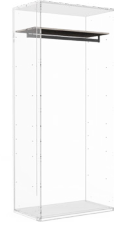
KG: 14,0 m³: 0,03

M 03
JEWELLERY ORGANIZER AND TROUSER RACK MODULE



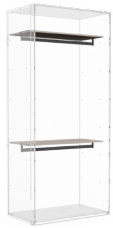
KG: 14,0 m³: 0,03

M 04
LONG SHELF MODULE WITH HANGER



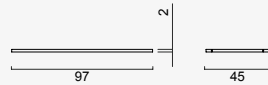
KG: 5,8 m³: 0,01

M 05
LONG SHELF MODULE WITH HANGER 2 PCS.



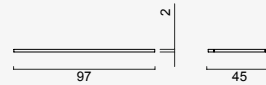
KG: 10,8 m³: 0,02

M 06
LONG SHELF MODULE



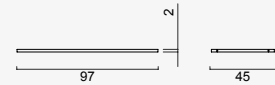
KG: 5,6 m³: 0,09

M 07
LONG SHELF MODULE 2 PCS.



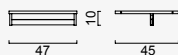
KG: 10,0 m³: 0,01

M 08
LONG SHELF MODULE 3 PCS.



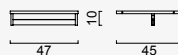
KG: 14,6 m³: 0,02

M 09
SHORT SHELF MODULE WITH HANGER



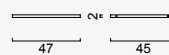
KG: 2,8 m³: 0,08

M 10
SHORT SHELF MODULE WITH HANGER 2 PCS.



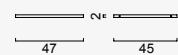
KG: 5,4 m³: 0,01

M 11
SHORT SHELF MODULE



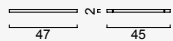
KG: 2,8 m³: 0,04

M 12
SHORT SHELF MODULE 2 PCS.



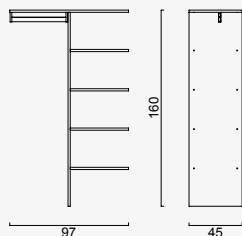
KG: 5,6 m³: 0,08

M 13
SHORT SHELF MODULE 3 PCS.



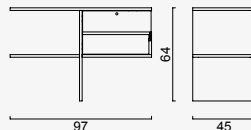
KG: 7,2 m³: 0,01

M 14
SEPARATOR MODULE WITH SHELVES



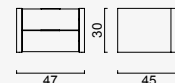
KG: 20,4 m³: 0,04

M 15
HIDDEN COMPARTMENT MODULE



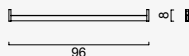
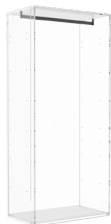
KG: 14,0 m³: 0,02

M 16
SHORT DRAWERS MODULE



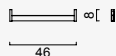
KG: 10,0 m³: 0,01

M 17
LONG HANGER



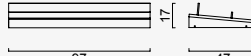
KG: 0,5 m³: 0,02

M 18
SHORT HANGER



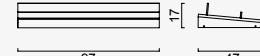
KG: 0,5 m³: 0,02

M 19
SHOES ORGANIZER MODULE



KG: 3,0 m³: 0,02

M 20
SHOES ORGANIZER MODULE 2 PCS.

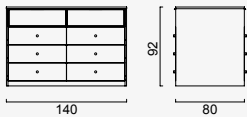


KG: 6,0 m³: 0,04

alfa plus extra modules

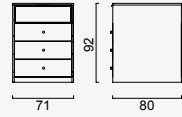


Island Unit
(Big)



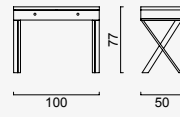
KG: 166,0 m³: 0,32

Island Unit
(Small)



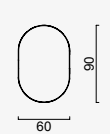
KG: 83,0 m³: 0,16

Dresser
(Without Mirror)



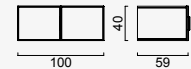
KG: 40,0 m³: 0,10

Mirror



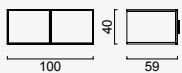
KG: 25,0 m³: 0,04

Top Module
(Wooden Door)



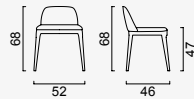
KG: 33,0 m³: 0,07

Top Module (Glass Door)

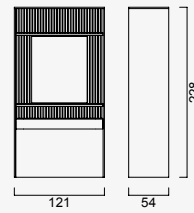


KG: 35,0 m³: 0,07

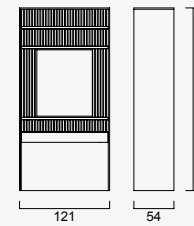
Make Up Unit Chair



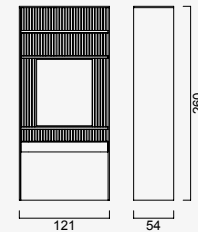
Make Up Unit 230 cm



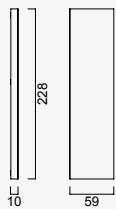
Make Up Unit 245 cm



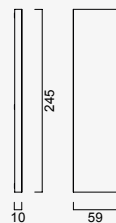
Make Up Unit 260 cm



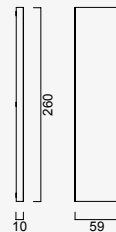
Side Extension
Panel 230 cm



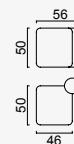
Side Extension
Panel 245 cm



Side Extension
Panel 260 cm

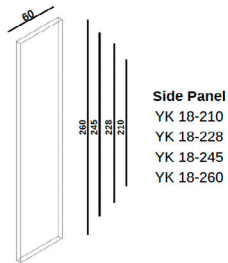


Pouf





• For Hinged Cabinets



Side Panel
 YK 18-210
 YK 18-228
 YK 18-245
 YK 18-260

◦ For Hinged Cabinets Left and right Side panels are identical

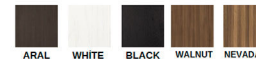


• For Sliding Door Cabinet's Left Side

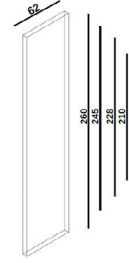


Sliding Door Side Panel
 SYK 18-210 (Left)
 SYK 18-228 (Left)
 SYK 18-245 (Left)
 SYK 18-260 (Left)

• Side Panels For Sliding Door Cabinets Are shown Above

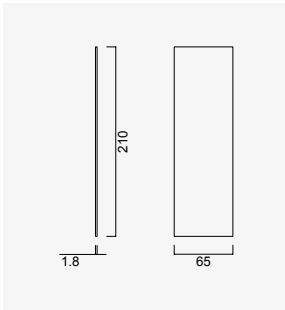


• For Sliding Door Cabinet's Right Side

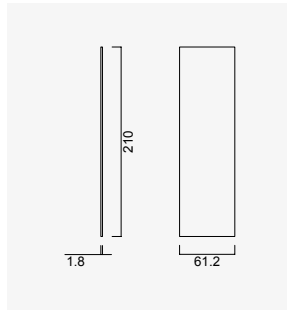


Sliding Door Side Panel
 SYK 18-210 (Right)
 SYK 18-228 (Right)
 SYK 18-245 (Right)
 SYK 18-260 (Right)

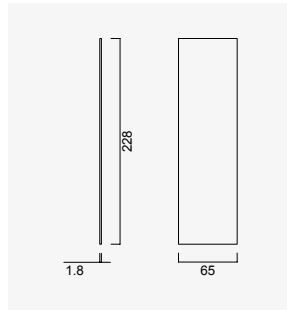
Sliding Door Side Panel
210 cm (Left)



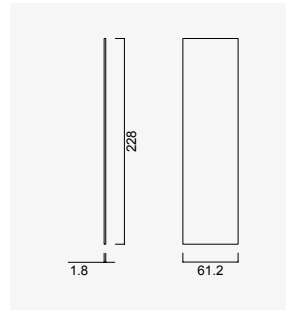
Sliding Door Side Panel
210 cm (Right)



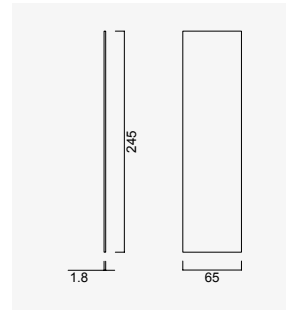
Sliding Door Side Panel
228 cm (Left)



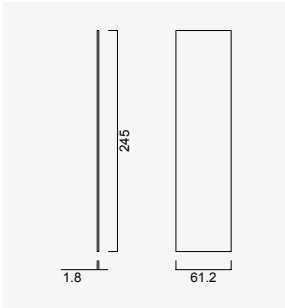
Sliding Door Side Panel
228 cm (Right)



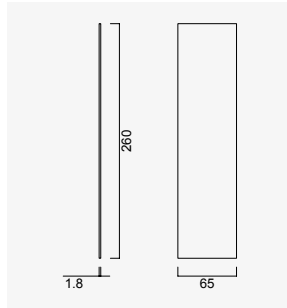
Sliding Door Side Panel
245 cm (Left)



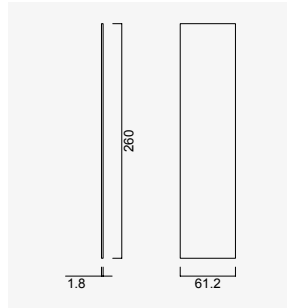
Sliding Door Side Panel
245 cm (Right)



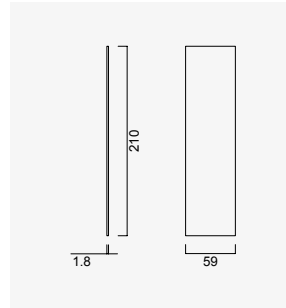
Sliding Door Side Panel
260 cm (Left)



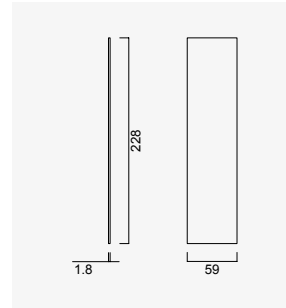
Sliding Door Side Panel
260 cm (Right)



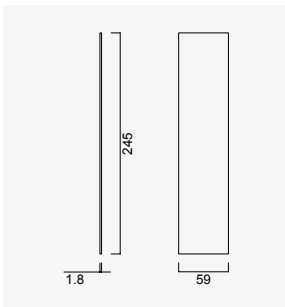
Double-Single Cabinet
Side Panel 210 cm



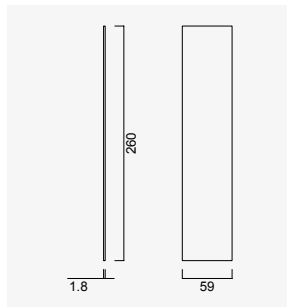
Double-Single Cabinet
Side Panel 228 cm



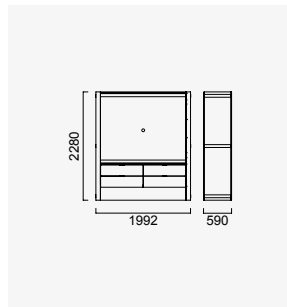
Double-Single Cabinet
Side Panel 245 cm



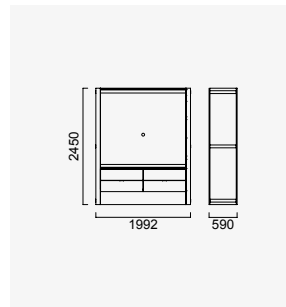
Double-Single Cabinet
Side Panel 260 cm



TV Module
230 cm



TV Module
245 cm



TV Module
260 cm

